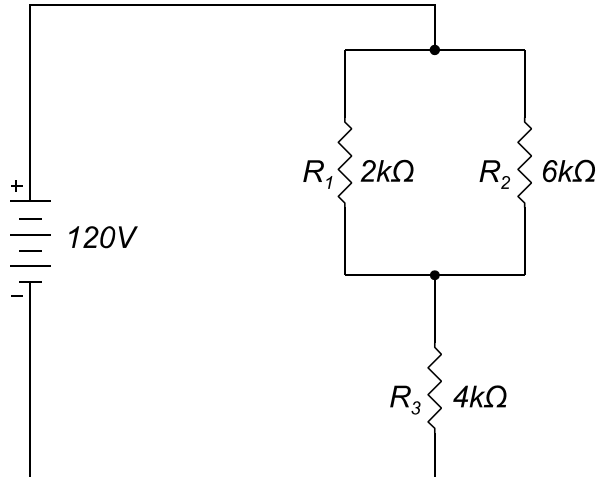


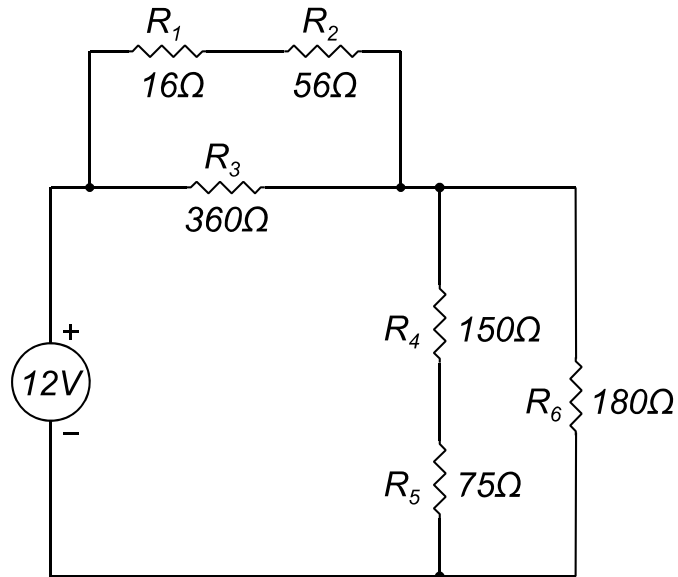
ELECTROTECHNOLOGY
ELTK1100
ASSIGNMENT #3

1. Calculate I_T , I_1 , I_2 , I_3 , V_1 , V_2 and V_3 for the following circuit.



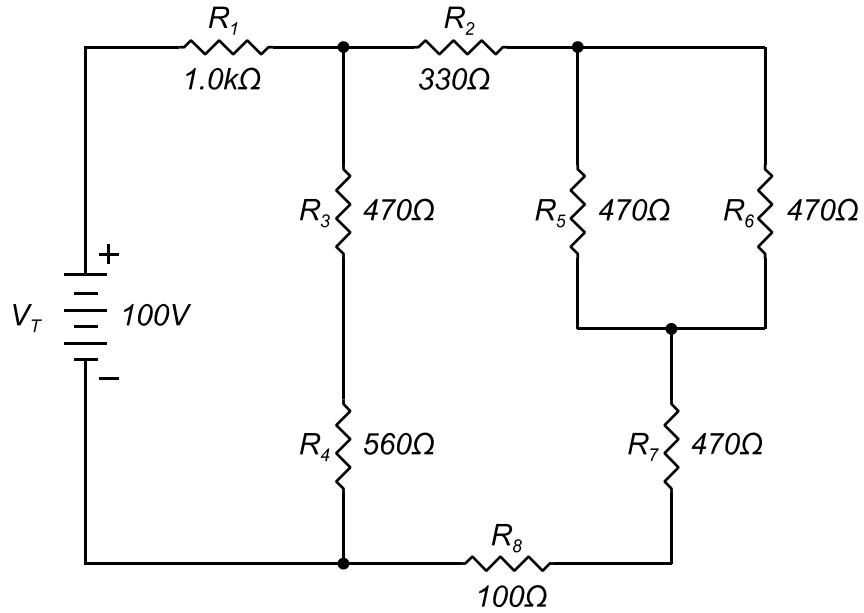
2. For the following circuit, determine:

- (a) R_T
- (b) I_T
- (c) I_2
- (d) I_3
- (e) V_5

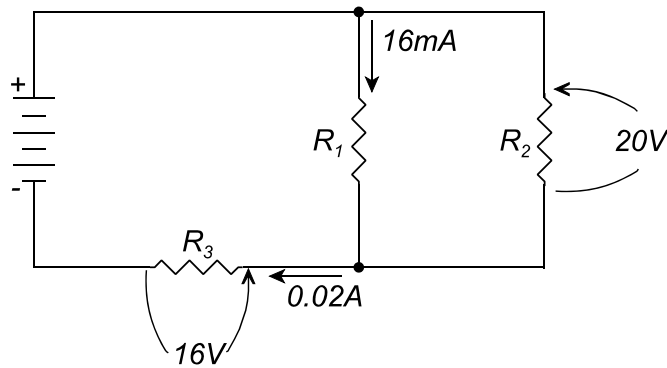


3. Find these quantities for the following circuit.

- (a) R_T
- (b) I_T
- (c) V_5
- (d) V_4
- (e) I_8

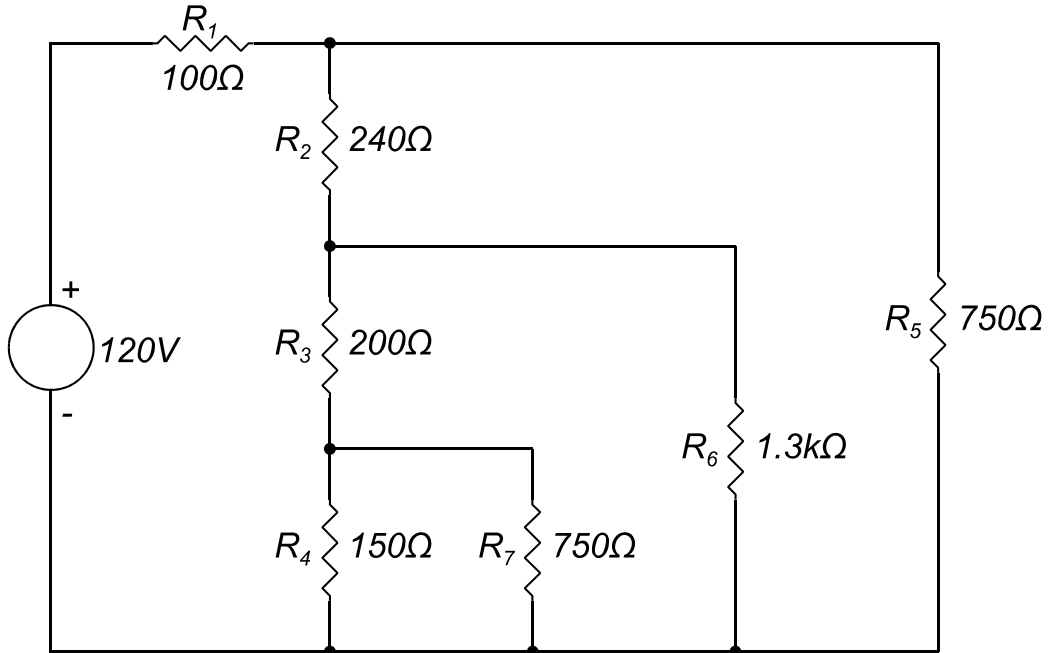


4. Calculate V_T , R_1 , R_2 , and R_3 for the following circuit.

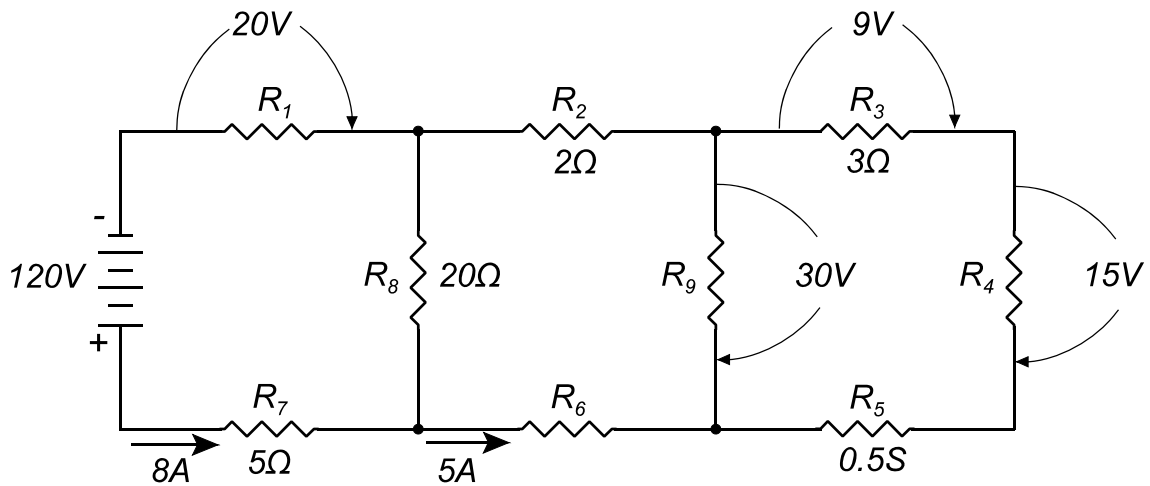


5. Find these quantities for the following circuit.

- (a) R_T
- (b) I_T
- (c) V_5, V_6, V_7
- (d) I_5, I_6, I_7

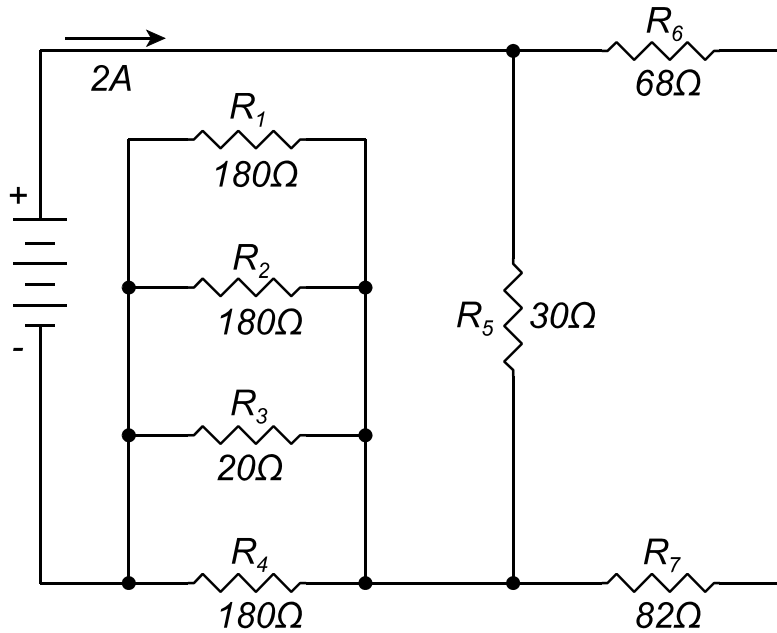


6. For the following circuit, determine: $R_1, R_4, R_5, R_6, R_9, I_4, I_8, I_9, V_8$



7. Find these quantities for the following circuit.

- (a) R_T
- (b) V_T
- (c) V_6
- (d) I_2



8. Find these quantities for the following circuit.

- (a) R_T
- (b) I_T
- (c) I_3
- (d) V_6

