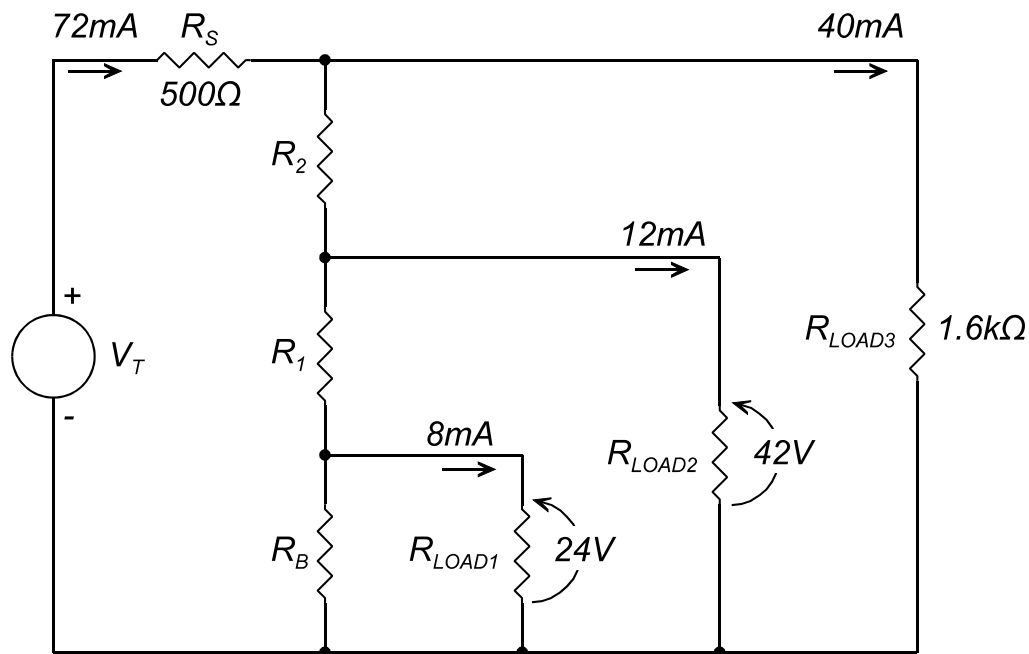


**ELECTROTECHNOLOGY
ELTK1100
ASSIGNMENT #5**

1. Design a series voltage divider to supply 75V drawing 100mA of current from a 125V source.
2. Design a voltage divider to supply 75V drawing 100mA of current from a 125V source. The bleeder current should be 150mA.
3. Determine:
 - (a) V_T .
 - (b) the load resistors R_{LOAD2} , and R_{LOAD1} .
 - (c) R_B , R_1 , and R_2 .



4. Design a voltage divider circuit to provide the following loads from a 120V power supply:
 - 50V at 25 mA.
 - 100V at 75mA.
 - 20V at 2W.
 Design for a bleeder current of 50 mA.

5. Design a voltage divider circuit to provide the loads as shown on the following circuit.

